

BECCHETTI BAL

dal 1882. le maniglie.



DESIGN STUDIO MARIANI



TETRIS HANDLE

Handcrafting

ART DÈCO

Art dèco was such an incredible time. A period characterized by Charleston and from clear and precise geometric shapes. Here is where the story of our **Tetris** handle begins.



FINISHES



Polished Chrome

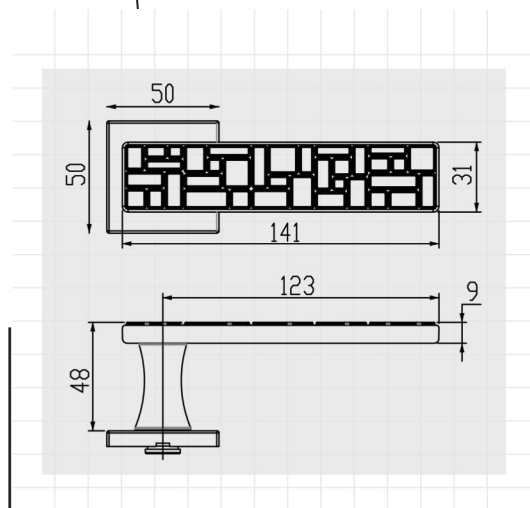


Matt Black lacquered



Satin Chrome

*made
in
Italy*



DESCRIPTION

Handle made in **Zamak** with cutting-edge technologies in die-casting processes. Assembled on square rose.